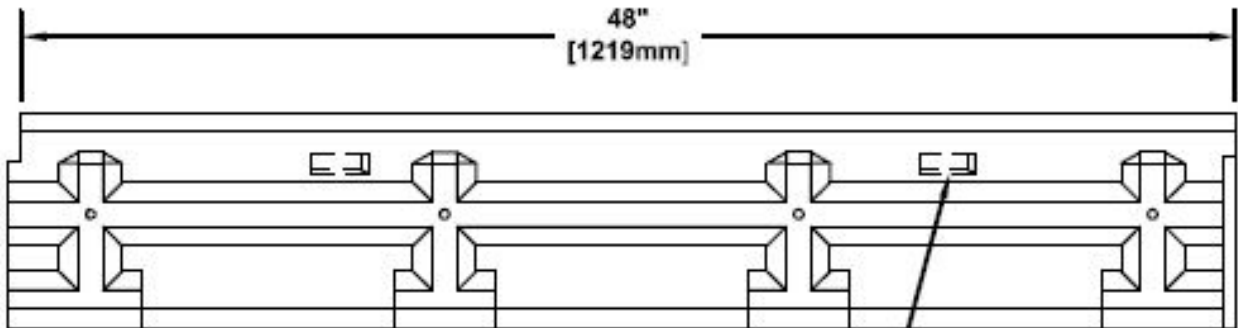
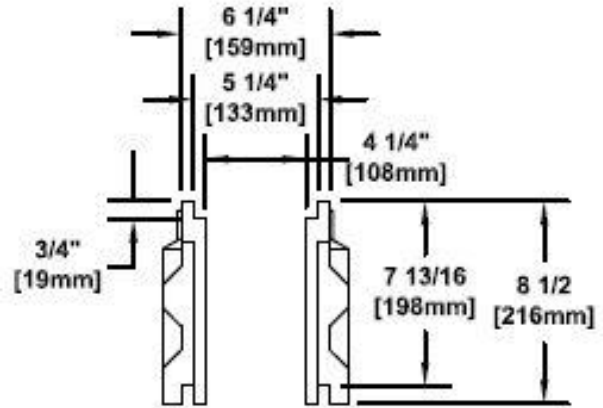
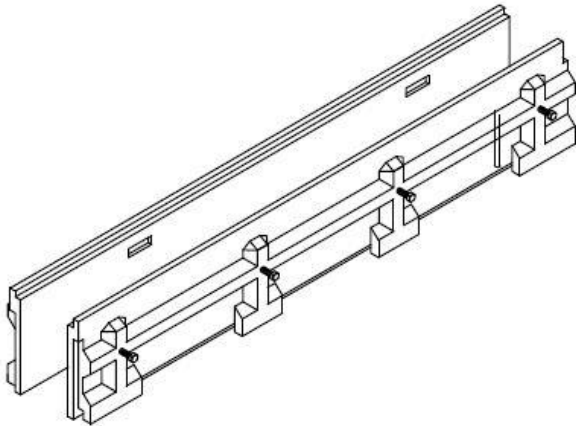


<p><b>Number</b></p> <p style="text-align: center;"><b>DP0660</b></p>	<p><b>Series</b></p> <p style="text-align: center;"><b>TPC600 / 700</b> Extender Panels Polycast 600 / 700 Series</p>
---	---



**INTEGRAL GROOVE  
FOR LOCKING DEVICE**

**Meets the following Standards & Specifications:**

- DIN 19580 / DIN EN 1433 Drainage Channels for Vehicular and Pedestrian Areas
- ASTM Standard D543, Test Method for Resistance of Plastics to Chemical Reagents
- ASTM Standard D570, Test Method for Water Absorption of Plastic
- ASTM Standard D576, Practice for Determination of Weight and Shape Change of Plastics Under Accelerated Service Conditions
- ASTM Standard G53, Recommended Practice for Operating Light and Water Exposure Apparatus for Exposure of Non-Metallic Materials
- ASTM Standard C78, Test Method for Flexural Strength of Concrete
- ASTM Standard C579, Test Method for Compressive Strength of Chemical Resistant Mortars and Monolithic Surfacing's

**Manufacturer**



**Specification**

POLYCAST 660 EXTENDER PANEL SET PROVIDES ADDITIONAL DESIGN FLEXIBILITY IN MEETING REQUIREMENTS OF EXTENDED RUN LENGTHS AND/OR FLOW CAPACITIES. THE PANELS ADD AN ADDITIONAL DEPTH OF 7-13/16" TO THE 600, 700 AND 900 SERIES DRAINS. THE PANELS ARE 48" LONG (STANDARD) POLYESTER POLYMER CONCRETE PANELS.

DISCLAIMER - The customer and the customer's architects, engineers, consultants, and other professionals are completely responsible for the selection installation and maintenance of any product purchased from Trench Drain Supply and/or its manufacturers. TRENCH DRAIN SUPPLY MAKES NO WARRANTY, EXPRESS OR IMPLIED, AS TO THE SUITABILITY, DESIGN, MERCHANTABILITY, OR FITNESS OF THE PRODUCT FOR CUSTOMERS APPLICATION. The drawing and information provided remain the property and copyright of the manufacturer listed. The manufacturer reserves the right to modify specification without notice.